



# **Ceramic Glass Electric Galley Ranges**

## **OWNER'S MANUAL**

**Models # 65335, 65336, 75331, 75332**

*Read all instructions and warnings before operating.*

Force 10 Manufacturing Corporation  
Unit A – 19169 21<sup>st</sup> Ave  
Surrey, BC  
V3S 3M3

**Tel:** 604.536.0379

**Fax:** 604.535.1210

**Website:** [www.force10.com](http://www.force10.com)





**If you are missing any parts or have questions regarding assembly, performance or operation please contact Force 10 Manufacturing Customer Service at 1-800-663-8515 or email at [sales@force10.com](mailto:sales@force10.com).**

## **INTRODUCTION**

---

Thank you for selecting the Force 10 Electric Galley Range. Your unit was carefully inspected and tested at our factory. Please take the time to read this manual carefully; many of its instructions are essential to the safe operation of your new Force 10 Electric Range

Because of the continuing refinement of our product designs, your Range may possess features not discussed in the manual. We have tried to supply all the information you might need, so please take time to read this manual before installing and using your Range. Force 10 advises strongly against unauthorized modification of this product, but we do encourage you to correct problems which may arise by under-taking the simple repairs and maintenance described in this manual.

## **SAFETY & PRECAUTIONS**

---

### **Read all Instructions before operating.**

- Do not use your Range as a source of heat
- **DO NOT TOUCH SURFACE UNITS OR AREAS NEAR UNITS** - Heating elements may be hot even though they are dark in color. Areas near surface units may become hot enough to cause burns. During and after use, do not touch, or let clothing or other flammable materials contact surface units or areas near units until they have had sufficient time to cool.
- Before using your cook-top, check each time that the bottom of the saucepan and the cooking zone are clean and dry.
- Lift up the sauce pans; sliding them across the cook-top can lead to superficial scratches.
- Avoid peeling vegetables over the cook-top as this could lead to grit on the surface and subsequent scratching.
- Use saucepans which are large enough to avoid spillage onto the cook-top, especially if a saucepan contains any sugar as this can cause irreparable damage to the glass ceramic.
- Keep the surface of the cook-top clear; above all do not keep plastic or Aluminum packing on it which could melt and damage the cook-top.

## **ELECTRICAL REQUIREMENTS**

---

Model	Voltage	Freq.	Surface Element (each)		Oven or Broiler Element		Maximum	
			W	A	W	A	W	A
65335	100 - 120	50 - 60	1200 W	10 A	1300 W	10.8 A	4900 W	41 A
75331	100 - 120	50 - 60	1200 W	10 A	1300 W	10.8 A	4900 W	41 A
65336	200 - 250	50 - 60	1200 W	5 A	1300 W	5.4 A	4900 W	20.4 A
75332	200 - 250	50 - 60	1200 W	5 A	1300 W	5.4 A	4900 W	20.4 A

### **Recommended Breaker Size**

120 Volt units – 50A

240 Volt units – 30A

## **INSTALLATION**

---

### **Unpacking**

1. Remove all plastic coating before use.
2. Please copy the Model and Serial number of your unit into your manual. This is located both on the box and the right side of the Range.

**MODEL #** \_\_\_\_\_ **SERIAL #** \_\_\_\_\_

### **Minimum Clearances to Adjacent Walls and Overhead Cabinets**

No Clearance is required to an adjacent wall.

30" (762mm) minimum clearance between the top of the cooking surface and the bottom of an unprotected wood or metal cabinet;

**or**

24" (610mm) minimum when bottom of wood or metal cabinet is protected by a flame retardant heat shield.

To eliminate the risk of burns or fire by reaching over the heated surface, cabinet storage space located above the surface units should be avoided. If cabinet storage is to be provided, the risk can be reduced by installing a range hood that projects horizontally a minimum of 5" beyond the bottom of the cabinets

### **65335 / 65336 Installation**

#### **Cutout Dimensions:**

Width: 20.375" (518 mm)

Depth: 21" (534 mm)

Height: 21.75" (553 mm)

The opening between the cabinets should be 20.375" (518mm) wide, a minimum of 21" (534mm) deep and 21.75" (553mm) high for proper gimbal.

Mount a gimbal bracket on each side of the opening, positioning the bottom edge of the bracket 3.75" (95mm) below the countertop, and the front side of the bracket 6.7" (170mm) back from the front edge of the cabinets. This will position the stove so that the top of the stove side is flush with the countertop and the stove cabinet will be flush with the front surface of the adjacent cabinets.

Be sure to maintain a minimum 1" (25mm) open space behind the range, and at least 2" (51mm) of space below to allow the range to gimbal correctly.

Level each bracket and fasten with four #12 wood screws at least 1/2" in length.

Drill a 3/8" (10mm) hole on each side of the opening for the gimbal pin. Locate the hole 0.47" (12mm) in from the face of the cabinet and 3.55" (90mm) below the countertop. Fasten the gimbal lock plate over the hole using two # 8 wood screws at least 3/8" in length.

Carefully lift the stove into position so that the gimbal pins snap into the brackets. Gently pry the safety tabs of the bracket inward, toward the stove so that they protrude over the gimbal pins.

Make sure the stove swings freely at least 15 degrees. Check to ensure the gimbal lock pins slide into the hole you drilled.

### **75331 / 75332 Installation**

#### **Cutout Dimensions:**

Width: 20.5" (521 mm)

Depth: 19" (483 mm)

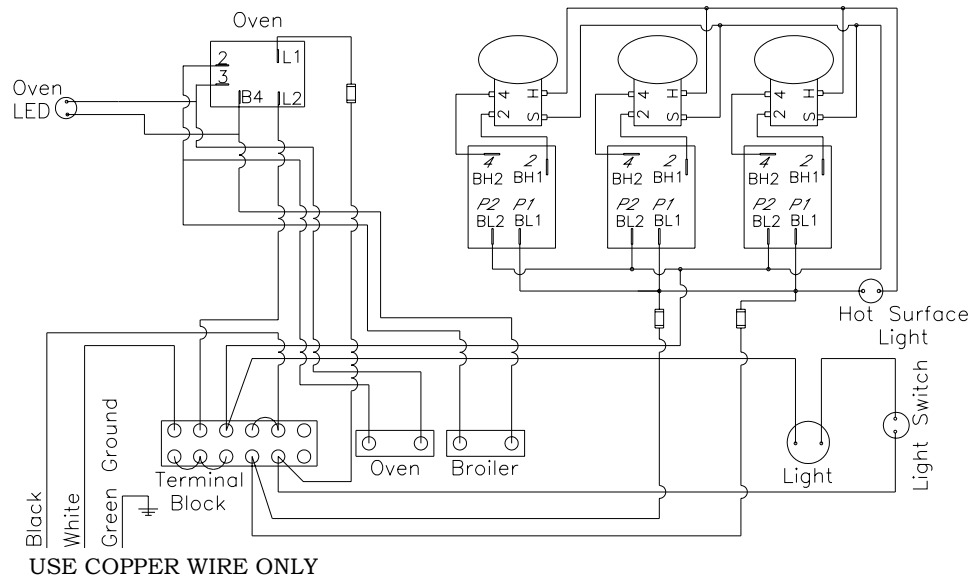
Height: 21.5" (546 mm)

The opening between the cabinets should be 20.5" (521mm) wide, a minimum of 19" (483mm) deep and 21.5" (546mm) high.

Secure the stove into position by screwing the stove sides to the walls of the cut out. The mounting holes can be accessed through (2) holes on both side of the stove located just above the glass top. Use #6, 1" stainless steel wood screws.

## **Electrical connection**

This product must be installed in accordance with national and local electric codes. It must be supplied with the rated voltage and frequency and hardwired to its own branch circuit, protected by an appropriate sized circuit breaker.



## **OPERATION**

### **Theory**

Glass ceramic cooktops require radiant heating elements. The principle of radiant operation is based on the use of coiled heating wires mounted on an insulated support fitted into a metal pan installed below the ceramic glass. The heating wires have an average operating temperature of approximately 1000°C. A thermostat prevents the temperature of the glass hob from exceeding 600°C. The heating wires and the insulating support have been designed not to stop the infrared radiations upwards, but reducing as much as possible side leakage and ensuring high efficiency. These heating elements enable the appliance to reach the operating temperatures on the cooking surface in a very short time.

### **Top Burners Operation**

1. To turn on an element, rotate the control knob counter clockwise to the desired setting.
2. A hot surface light located in the center of the cooktop will illuminate after a slight delay.
3. To turn off the cooktop, rotate the knob to point upwards.
4. The hot surface light will turn off after the cooking surface has cooled.

## Oven/Broiler Operation

The oven and broiler are controlled by the same switch. To operate the oven, turn the control knob clockwise and set the desired temperature. The oven LED will light, indicating the unit is heating up. Once the oven is up to temperature, the LED light will go out.

In order to operate the broiler, turn the control knob as far clockwise as possible. You will feel a slight click as the control reaches the broiler setting. The oven LED will be lit for the entire length of operation. Keep the door open about 3", or to the last notch on the handle. Remember, heat will be escaping from this gap, use caution.

When the broiler is activated, the oven element is disabled.

When cooking is complete, turn the control off. Until unit has cooled completely, use caution when working around it.

## Oven Door

Your Force 10 Electric Range is equipped with a slide away space saving door. To open the door, lift up on the handle and pull towards you. The door will fold underneath the oven.

## CLEANING & MAINTENANCE

---

### Ceramic Glass Cooktop Cleaning Instructions

All stain or deposit on the cook-top surface must be cleaned off quickly once the cook-top has cooled down, before re-using the cook-top

**Exception:** In the case of sugar deposits, remove all residues before the cook-top cools down (*Be careful not to burn yourself!*)



**Important:** Only use cleaning products that have been specifically designed for glass ceramic cook-tops.



If the deposit is minimal, simply wipe off with a dry cloth.



If the deposit is more prominent, clean off with a moist, soapy sponge and rinse off.



If the deposit does not clean off easily, use a **non-abrasive** scrub pad and a specially adapted glass-ceramic cleaning product.



If the deposit does not clean off with any of the above mentioned methods, use a razor blade scraper, specially designed for glass ceramic cook-tops.



Having successfully cleaned the cook-top, apply a glass ceramic cook-top conditioner which will protect the cook-top surface against any future stains, with a dry cloth or equivalent.

### **Stainless Steel Cleaning Instructions**

*Do not use abrasive pads; they will scratch the surface*

The basic rule of thumb is to use the mildest cleaning procedure that will do an effective job. Always rinse thoroughly with clear water and dry completely. Frequent cleaning will prolong the service life of stainless steel equipment and help maintain the finish. Ordinary deposits of waste and fluids can usually be removed with soap and water. More stubborn deposits or stuck on debris may require harder rubbing or the use of commercial cleaning products acceptable for use on metal surfaces. When using any cleansing agent, the rubbing should be in the direction of the polish lines or "grain" of the metal.

### **Changing the light bulb**

Your Force 10 oven is equipped with a light. The light bulb is located in the top right hand corner of the oven and is screwed into the socket.

To remove the bulb, unscrew it clockwise. The replacement should be an **A15 type** - 40 watt frosted appliance bulb rated at the appropriate AC Voltage.



## **PARTS**

---

<u>Description</u>	65335 (120V)	65336 (240V)	75331 (120V)	75332 (240V)
LED Light	15212	15213	15212	15213
Control Knob	89248	89248	89248	89248
Oven Thermostat Control	89102	89102	89102	89102
Top Burner Control	89101	891011	89101	891011
Light Switch	87183	87183	87183	87183
Broiler Element	89107	89107A	89107	89107A
Oven Element	89106	89106A	89106	89106A
Burner Element	89131	89131A	89131	89131A
Oven Rack	306211	306211	555211	555211
Pot Holders	86000	86000	N/A	N/A

## **TROUBLE SHOOTING GUIDE**

---

<b>PROBLEM</b>	<b>CAUSE</b>	<b>Solution</b>
<b>Unit will not turn on</b>	External Breaker has tripped	Reset breaker
<b>Hot Surface indicator stays on</b>	Element switch is bad	Replace element
<b>Oven works but top burners do not come on</b>	Internal thermal fuse has blown	Replace wiring harness
<b>Control knob does not move</b>	Burner control has seized	Replace control
<b>Light bulb does not stay on</b>	Light bulb is dead	Change light bulb

## SPECIFICATIONS

---

Part #	65335	65336	75331	75332
# of Top Burners	3	3	3	3
Output (watts per burner)	1200	1200	1200	1200
Oven	Yes	Yes	Yes	Yes
Output (watts)	1300	1300	1300	1300
Broiler	Yes	Yes	Yes	Yes
Output (watts)	1300	1300	1300	1300
Voltage	100 - 120	200 - 250	100 - 120	200 - 250
Frequency (Hz)	50-60	50-60	50-60	50-60
Max Amps	41	20.4	41	20.4
Gimballed	Yes	Yes		
Built-in			Yes	Yes
Width	20"	20"	21.5"	21.5"
Depth	20"	20"	19.75"	19.75"
Height	21.75"	21.75"	22.25"	22.25"
Light bulb style	A15 - 40 W	A15 - 40 W	A15 - 40 W	A15 - 40 W

## Limited Warranty

---

Force 10 Manufacturing warrants this Electric Range to the original consumer to be free from defective material(s) and workmanship while under normal use and service for a period of (2) year.

During the warranty period, Force 10 Manufacturing will, at its option and without charge, repair and/or replace but not remove or re-install the faulty product.

The purchaser will return defective products to the address stated below. No product will be accepted by Force 10 Manufacturing without a Return Authorization Number. Return of defective products must be accompanied by written details of the problems and proof of purchase.

The buyer shall be responsible for shipping and insurance charges, if any, on the products returned for repair under the terms of this warranty. Force 10 Manufacturing will pay shipping of products returned to the buyer.

This limited warranty applies only to products that have been installed and used in accordance to printed instructions of Force 10 Manufacturing and does not cover improper use, vandalism, negligence or accidents.



