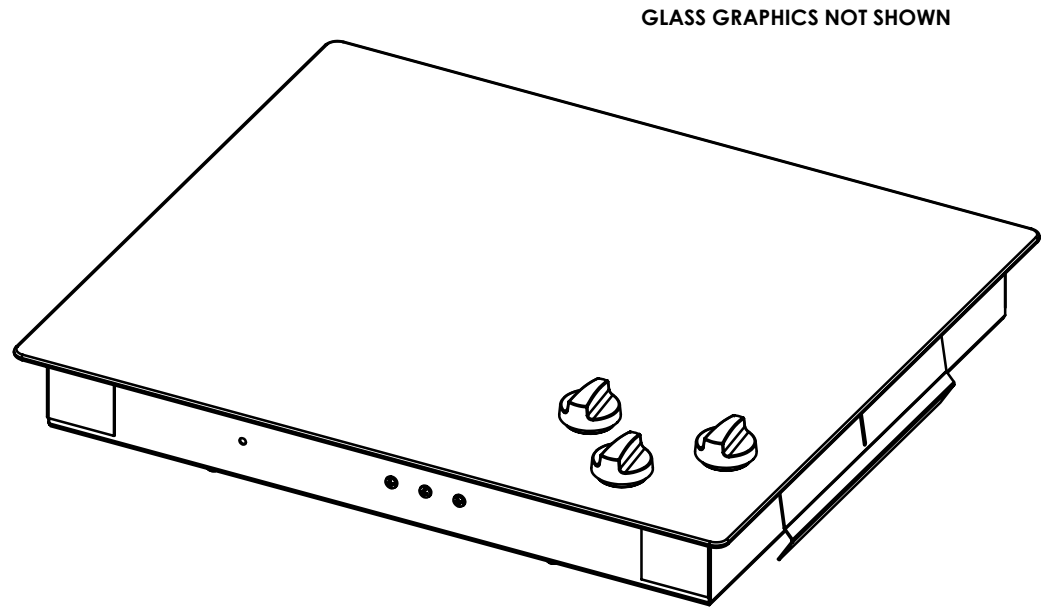
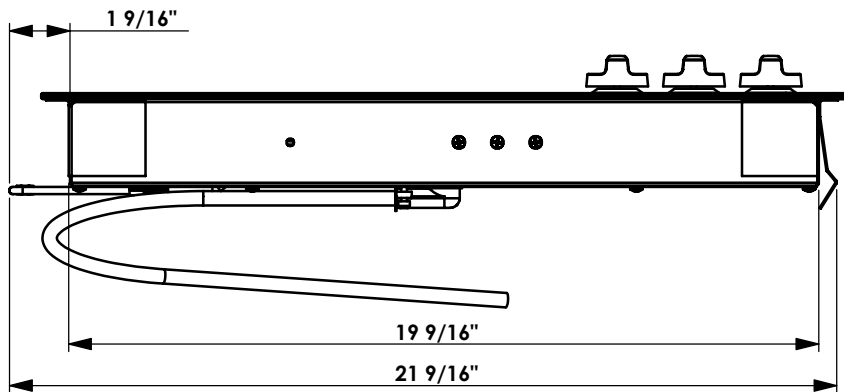
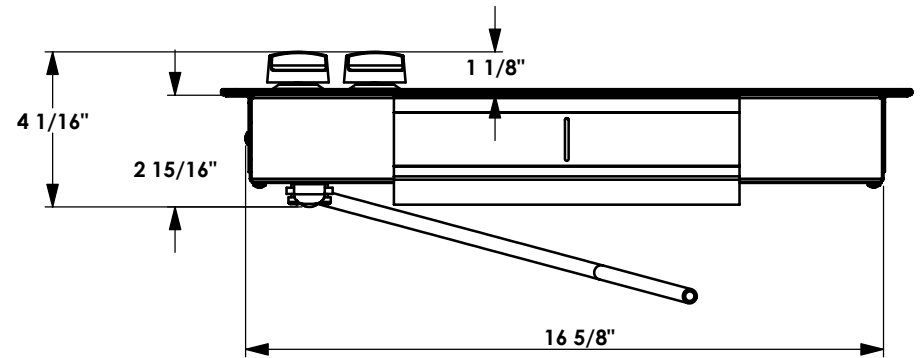


DIMS TO CLOSEST 1/16"



Model 75320 - 120Vac, 3600W, 30A

Model 75322 - 240Vac, 3600W, 15A



REV.	ECN.	DESCRIPTION	DATE	BY
1	809	AS BUILT	18/09/06	PH

PROPRIETARY AND CONFIDENTIAL
 THE INFORMATION CONTAINED IN THIS DRAWING IS THE SOLE PROPERTY OF FORCE 10 MFG CORP. ANY REPRODUCTION IN PART OR AS A WHOLE WITHOUT THE WRITTEN PERMISSION OF FORCE 10 MFG CORP IS PROHIBITED.

△ INDICATES A CRITICAL DIMENSION
 TYPICAL BEND RADIUS = 0.040
 MATERIAL THICKNESS =
 OUTSIDE BEND DEDUCTION =
 DIMENSIONS ARE IN INCHES
 TOLERANCES:
 FRACTIONAL ±1/16
 ANGULAR: MACH ±0.5 BEND ±0.5
 TWO PLACE DECIMAL ±0.050
 THREE PLACE DECIMAL ±0.005
 DO NOT SCALE DRAWING



NOTES:
 1. REMOVE ALL BURRS
 2. BREAK SHARP EDGES 0.005 - 0.015
 3. UNLESS OTHERWISE SPECIFIED, MACHINED CORNERS TO HAVE 0.005 - 0.015 FILLET RADII

COOKTOP-CERAN ELECTRIC 3S LAYOUT		REV. 1
DWG. NO.	75320 - 75322	
MATL:	-	G.A. #
		SHEET 1 OF 1