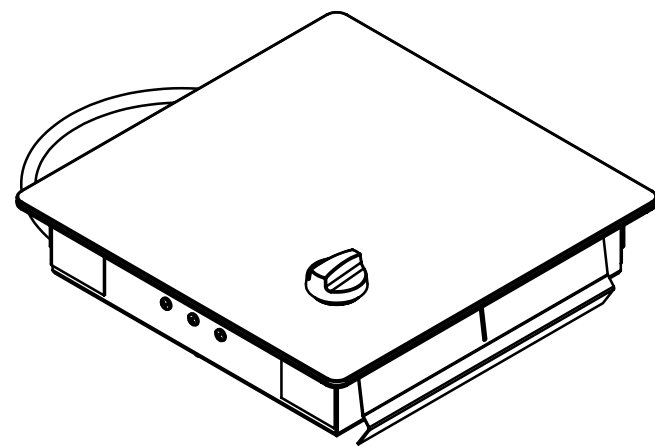
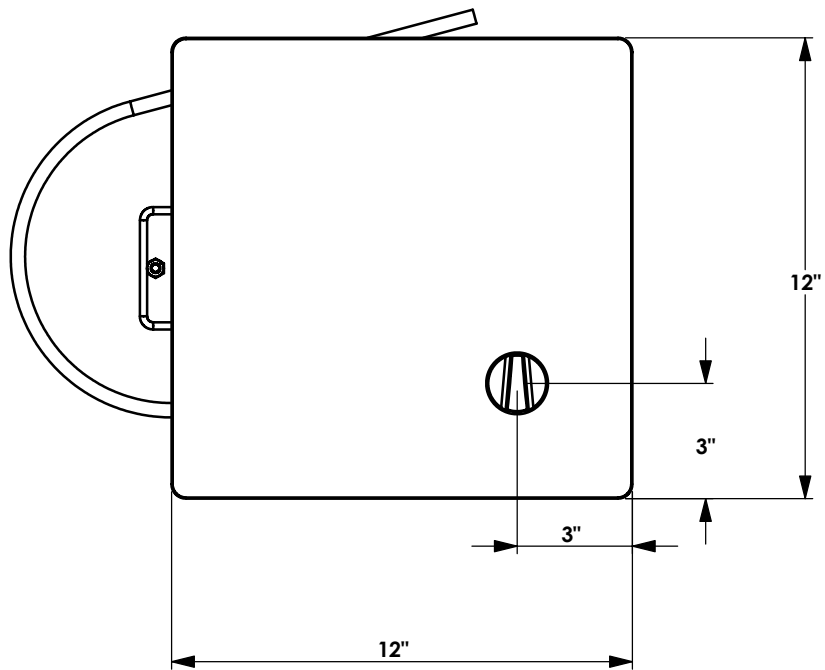


I.D.	DESCRIPTION	QTY	STN
------	-------------	-----	-----

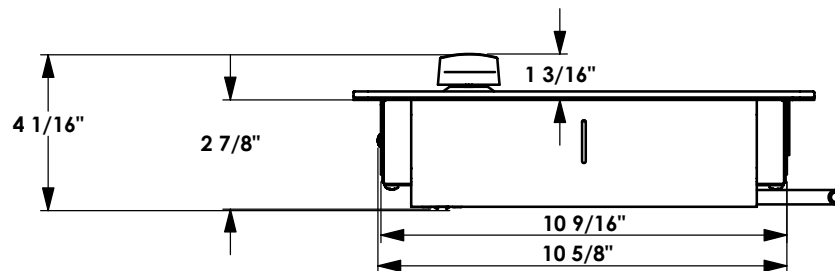
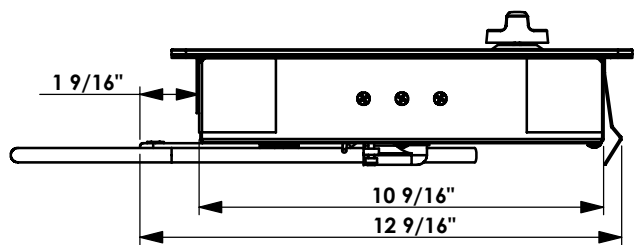
GLASS GRAPHICS NOT SHOWN



Model 75120 - 120Vac, 1200W, 10A

Model 75122 - 240Vac, 1200W, 5A

DIMS TO CLOSEST 1/16"



REV.	ECN.	DESCRIPTION	DATE	BY
1	809	UPDATE AS BUILT	07/07/06	PH
1	-	FOR REFERENCE	21/07/05	PH

PROPRIETARY AND CONFIDENTIAL  
 THE INFORMATION CONTAINED IN THIS DRAWING IS THE SOLE PROPERTY OF FORCE 10 MARINE COMPANY. ANY REPRODUCTION IN PART OR AS A WHOLE WITHOUT THE WRITTEN PERMISSION OF FORCE 10 MARINE COMPANY IS PROHIBITED.

△ INDICATES A CRITICAL DIMENSION  
 TYPICAL BEND RADIUS = 0.040  
 MATERIAL THICKNESS =  
 OUTSIDE BEND DEDUCTION =  
 DIMENSIONS ARE IN INCHES  
 TOLERANCES:  
 FRACTIONAL ±1/16  
 ANGULAR: MACH ±0.5 BEND ±0.5  
 TWO PLACE DECIMAL ±0.050  
 THREE PLACE DECIMAL ±0.005  
 DO NOT SCALE DRAWING



<b>1S COOKTOP LAYOUT</b>	
DWG. NO.	<b>75120 - 75122</b>
MATL:	*
SHEET 1 OF 1	

NOTES:  
 1. REMOVE ALL BURRS  
 2. BREAK SHARP EDGES 0.005 - 0.015  
 3. UNLESS OTHERWISE SPECIFIED, MACHINED CORNERS TO HAVE 0.005 - 0.015 FILLET RADII

REV. 2